

TECHNICAL DATA SHEET

RADIAL FAN nr. AFGG-25_01



G&G filtration CZ, s.r.o.

A Hrubínova 1903/9, 66451 Šlapanice, CZ
 IČ 05226953 IČ DPH CZ05226953
 E info@ggf.cz W www.ggf.cz

ITEM1

Document printed by Aeraulica - Dimensions and performances can be changed without prior notice

Type and characteristics of the requested machine				performance on		Outlet		
Flow rate	600 [m3/h]	Capacity (Normal)				559 [Nm3/h]		
Total pressure	2500 [Pa]	Static pressure						
Working fluid temperature	20 [°C]	Fluid specific weight				1.204 [Kg/m3]		
Installation altitude	0 asl [m]	Specific weight std (20 [°C], 0 asl [m])				1.204 [Kg/m3]		
Suggested model and effective characteristics				performance on		Outlet		
Model	VM 400R/2-I	Execution	E04	Installation Type	A (free inlet and outlet)			
Fluid specific weight	1.204	1.204 [Kg/m3]		Revolution fan speed		2860	[rpm]	
Total pressure	2406	2406 [Pa]		Orientation		RD 0		
Static pressure	2362	2362 [Pa]		Sound power LwA		93.53	[dB(A)]	
Flow rate	600	600 [m3/h]		Sound pressure at mt.1.5 1/2 sf in open field		80.23	[dB(A)]	
Capacity (Normal)	559	559 [Nm3/h]		Pipings	s>3mm = +3dB; 1mm<s<3mm = +4,5dB; s<1mm = +6dB			
Power dem. at shaft	0.645	0.645 [kW]		Fan efficiency	Outlet	62.16	%	
Motor power demand	0.645	0.645 [kW]						
Characteristics of chosen motor				Motor efficiency IEC 60034-30			PD ² impeller	
Code	090S02-50/std3	shape	B3	Efficiency	84.2	84.6	83.2	0.37 kgm ²
Rated power	1.5 [kW]	n° poles	2	rpm	2910			PD ² needed 0.36 kgm ²
				Load	100%	75%	50%	PD ² motor 1.7 kgm ²
ErP 2009/125/CE Regulament (UE) N. 327/2011				Notes				
Efficiency grade	64			N	71.7	Total efficiency		61.75 %
Impeller type	backward blades	Type of test	B/total	Flow rate	1209.76 [m3/h]	Pressure		1877 [Pa]
NOTE				Performance on Outlet VM 400R/2-I - E04 - D=0.37[m] - ρ=1.204[kg/m ³] - T=20[°C] - 0[m]a.s.l.				
Rpm Limit	<=60 °C: 5000 Rpm							
values of the noise of fan obtained in ambient not reverberant with inlet and outlet ducts fully insulated								

TECHNICAL DATA SHEET

RADIAL FAN nr. AFGG-25_01



G&G filtration CZ, s.r.o.

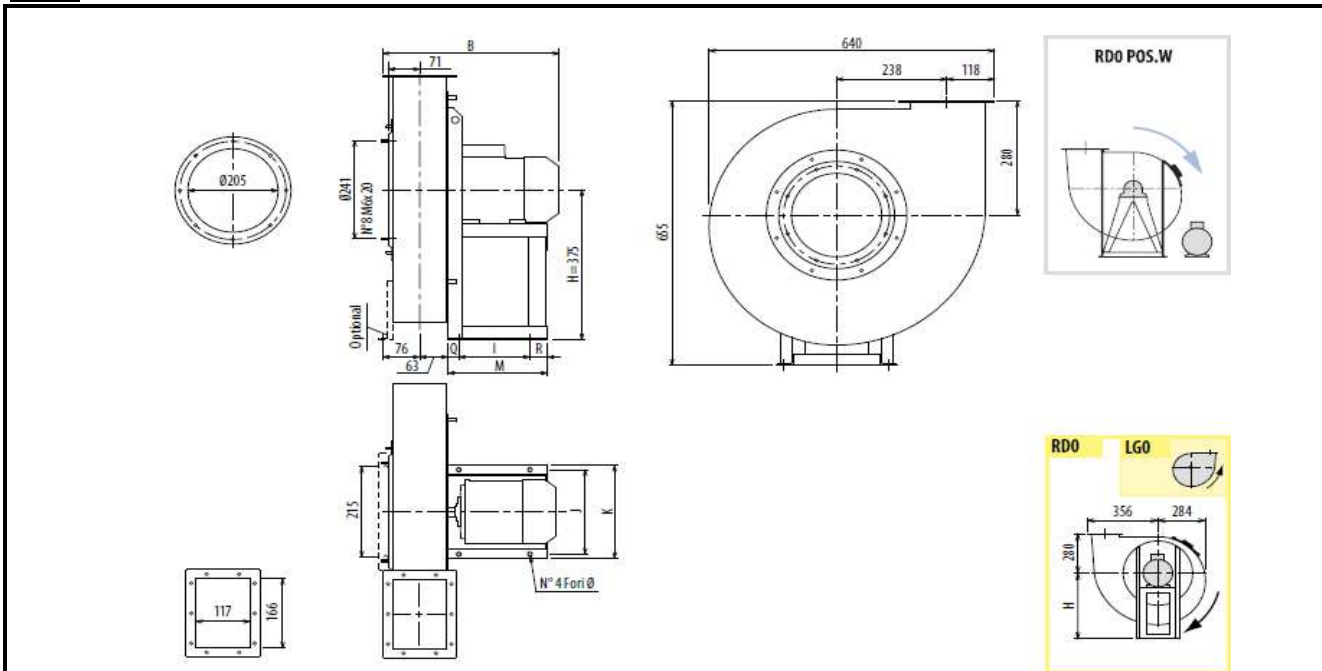
A Hrubínova 1903/9, 66451 Šlapanice, CZ

IČ 05226953 IČ DPH CZ05226953

E info@ggf.cz W www.ggf.cz

ITEM1

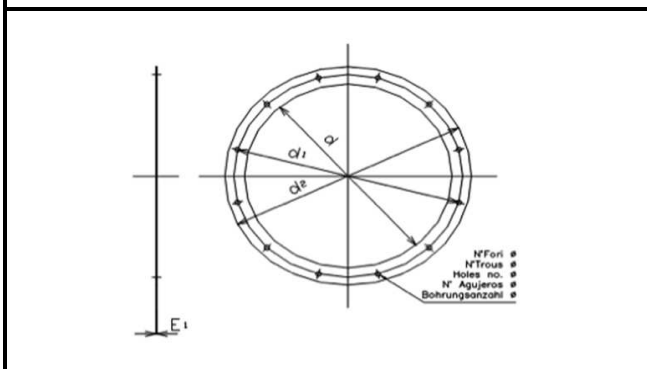
Document printed by Aeraulica - Dimensions and performances can be changed without prior notice



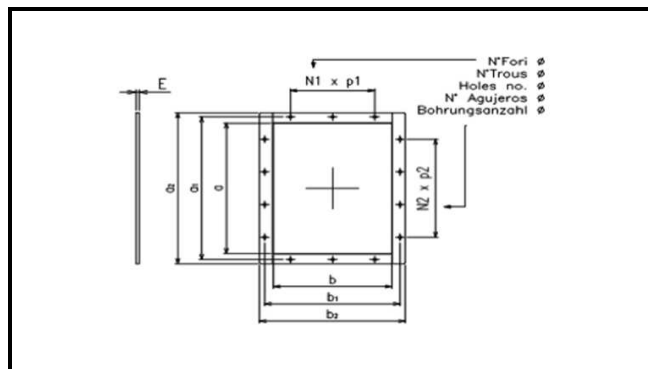
Indicative measures in the standard configuration. For detailed information contact your reference.

Indicative value of weight including standard motor.

B	I	H	H1	H2	J	K	M	Q	R	Φ	PD2	kg
437	133	375	280	375	234	260	251	58	60	10	0,37	46



Cod	dxn°	d1	d2	Φ	E1
0205 A	205x8	241	275	8	3



Cod	axb	a1	b1	a2	b2
0166x0117	166x117	200	151	236	187

N2xp	n°	Φ	E
1x112	6	12	4