

TECHNICAL DATA SHEET

RADIAL FAN nr. AFGG-25_19



G&G filtration CZ, s.r.o.

A Hrubínova 1903/9, 66451 Šlapanice, CZ
 IČ 05226953 IČ DPH CZ05226953
 E info@ggf.cz W www.ggf.cz

ITEM1

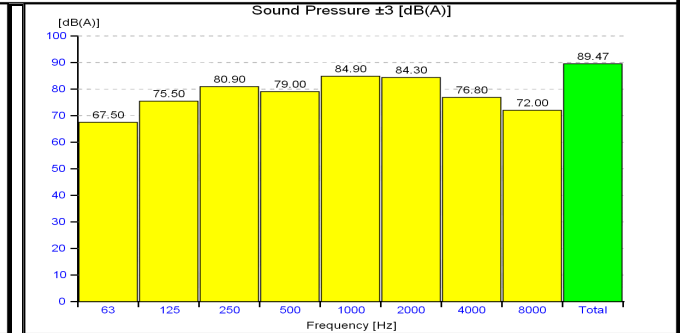
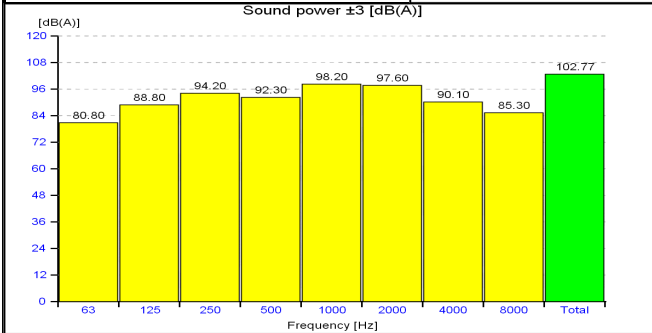
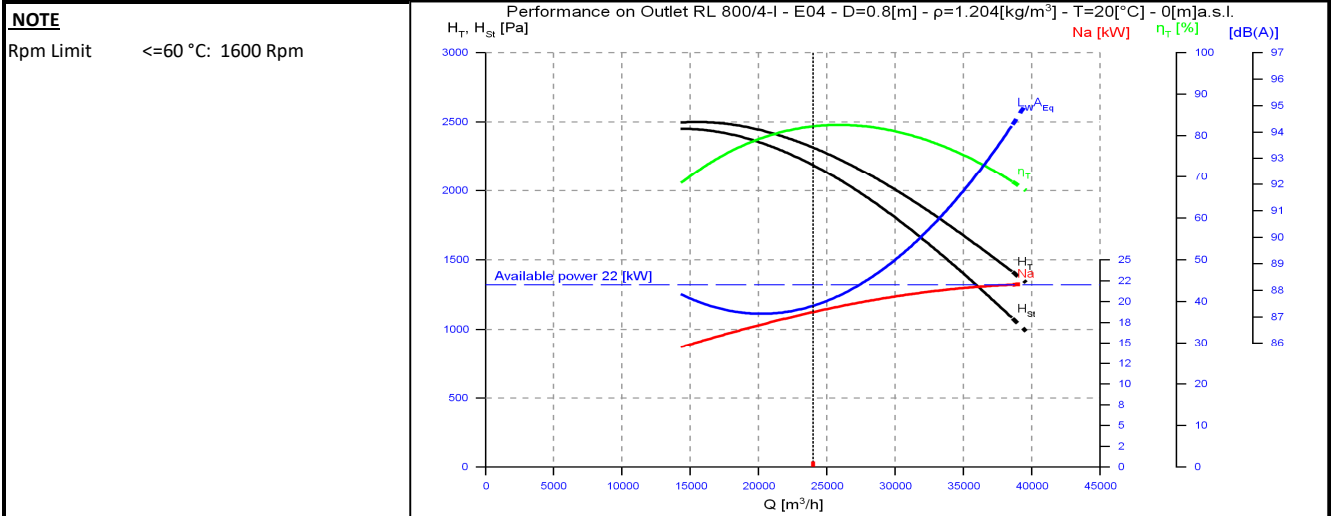
Document printed by Aeraulica - Dimensions and performances can be changed without prior notice

Type and characteristics of the requested machine		performance on		Outlet
Flow rate	24000 [m3/h]	Capacity (Normal)		22363 [Nm3/h]
Total pressure	2500 [Pa]	Static pressure		
Working fluid temperature	20 [°C]	Fluid specific weight		1.204 [Kg/m3]
Installation altitude	0 asl [m]	Specific weight std (20 [°C], 0 asl [m])		1.204 [Kg/m3]

Suggested model and effective characteristics				performance on		Outlet
Model	RL 800/4-I	Execution	E04	Installation Type	A (free inlet and outlet)	
Fluid specific weight	1.204	1.204 [Kg/m3]		Revolution fan speed		1460 [rpm]
Total pressure	2313	2313 [Pa]		Orientation		RD 0
Static pressure	2184	2184 [Pa]		Sound power LwA		102.77 [dB(A)]
Flow rate	24000	24000 [m3/h]		Sound pressure at mt.1.5 1/2 sf in open field		89.47 [dB(A)]
Capacity (Normal)	22363	22363 [Nm3/h]		Pipings	s>3mm = +3dB; 1mm<s<3mm = +4,5dB; s<1mm = +6dB	
Power dem. at shaft	18.745	18.745 [kW]		Fan efficiency	Outlet	82.26 %
Motor power demand	18.745	18.745 [kW]				

Characteristics of chosen motor				Motor efficiency IEC 60034-30			PD ² impeller		30.0 kgm ²			
Code	180L04-50/std3P	shape	B3	Efficiency	93	93.7	93.6	PD ² needed	29.59	kgm ²		
Rated power	22.0 [kW]	n° poles	4	rpm	1470	Load	100%	75%	50%	PD ² motor	81	kgm ²

ErP 2009/125/CE Regulament (UE) N. 327/2011				Notes			
Efficiency grade	64			N	76.6	Total efficiency	77.35 %
Impeller type	backward blades	Type of test	B/total	Flow rate	25883.64 [m3/h]	Pressure	2079 [Pa]



values of the noise of fan obtained in ambient not reverberant with inlet and outlet ducts fully insulated

TECHNICAL DATA SHEET

RADIAL FAN nr. AFGG-25_19



G&G filtration CZ, s.r.o.

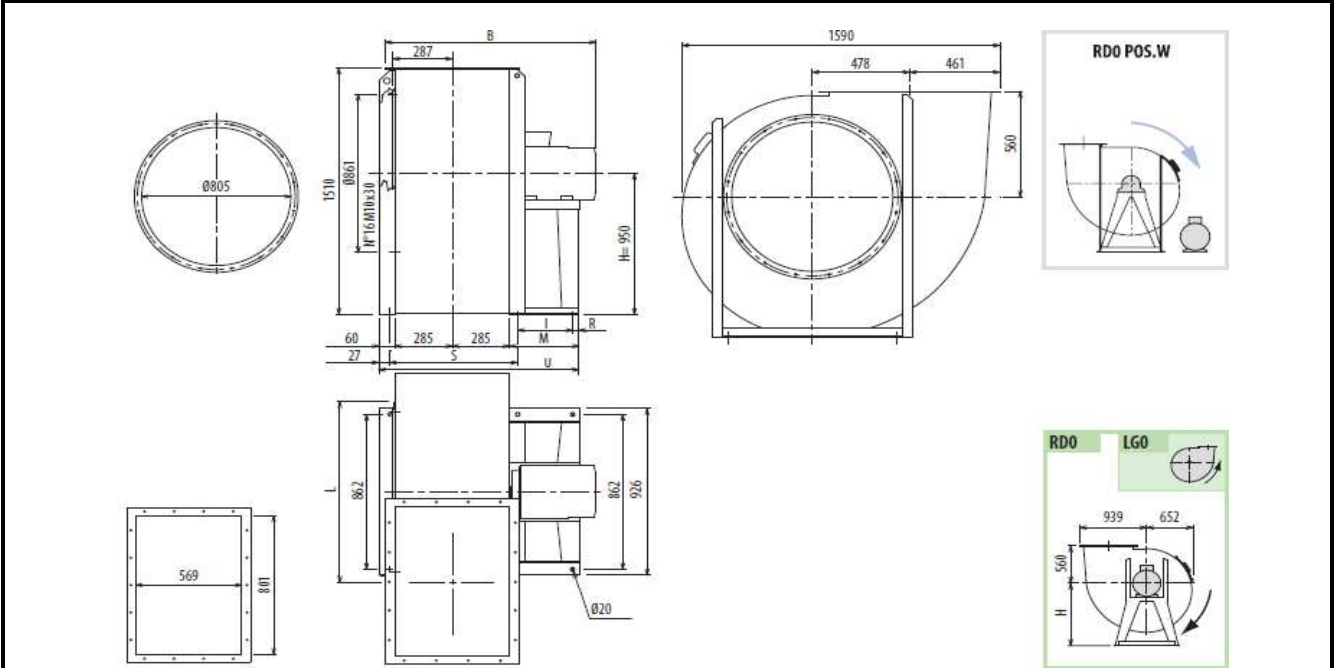
A Hrubínova 1903/9, 66451 Šlapanice, CZ

IČ 05226953 IČ DPH CZ05226953

E info@ggf.cz W www.ggf.cz

ITEM1

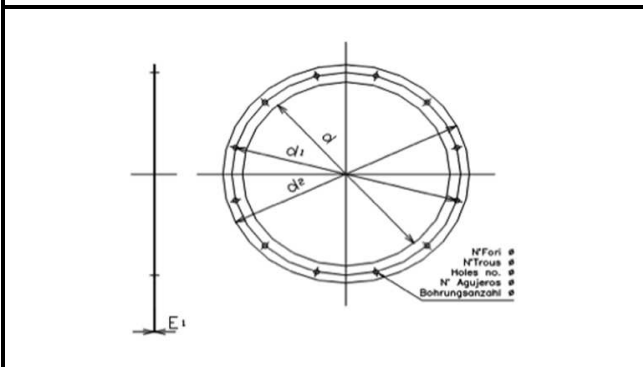
Document printed by Aeraulica - Dimensions and performances can be changed without prior notice



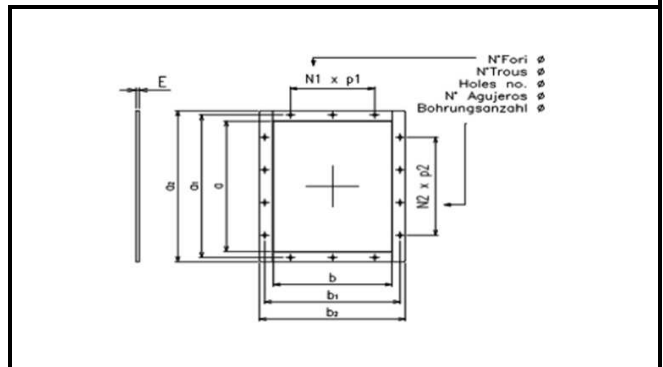
Indicative measures in the standard configuration. For detailed information contact your reference.

Indicative value of weight including standard motor.

B	I	H	H1	H2	L	M	R	S	U	PD2	kg
1239	361	950	560	950	932	463	39	668	1095	30	484



Cod	dxn°	d1	d2	Φ	E1
0805 A	805x16	861	905	14	6



Cod	axb	a1	b1	a2	b2
0801x0569	801x569	871	639	921	689

N1xp	N2xp	n°	Φ	E
2x200	3x200	14	14	6