

TECHNICAL DATA SHEET

RADIAL FAN nr. AFGG-25_20



G&G filtration CZ, s.r.o.

A Hrubínova 1903/9, 66451 Šlapanice, CZ
 IČ 05226953 IČ DPH CZ05226953
 E info@ggf.cz W www.ggf.cz

ITEM1

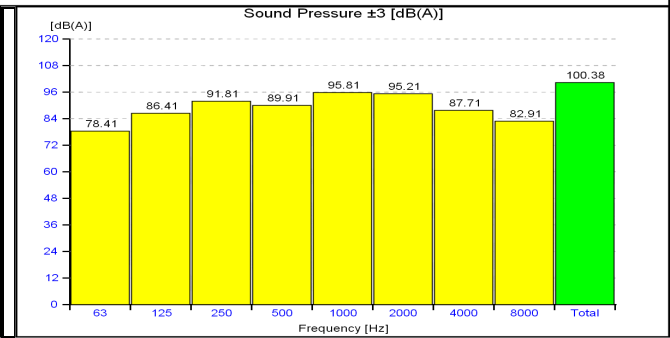
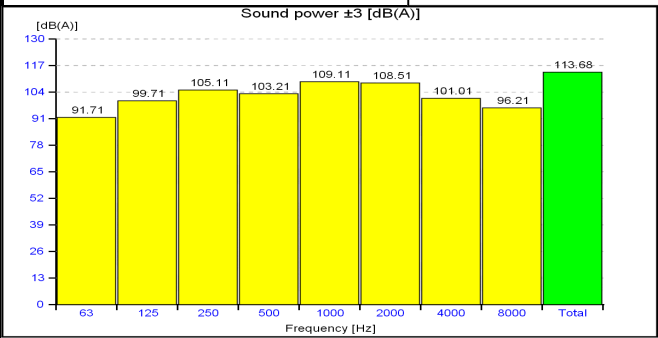
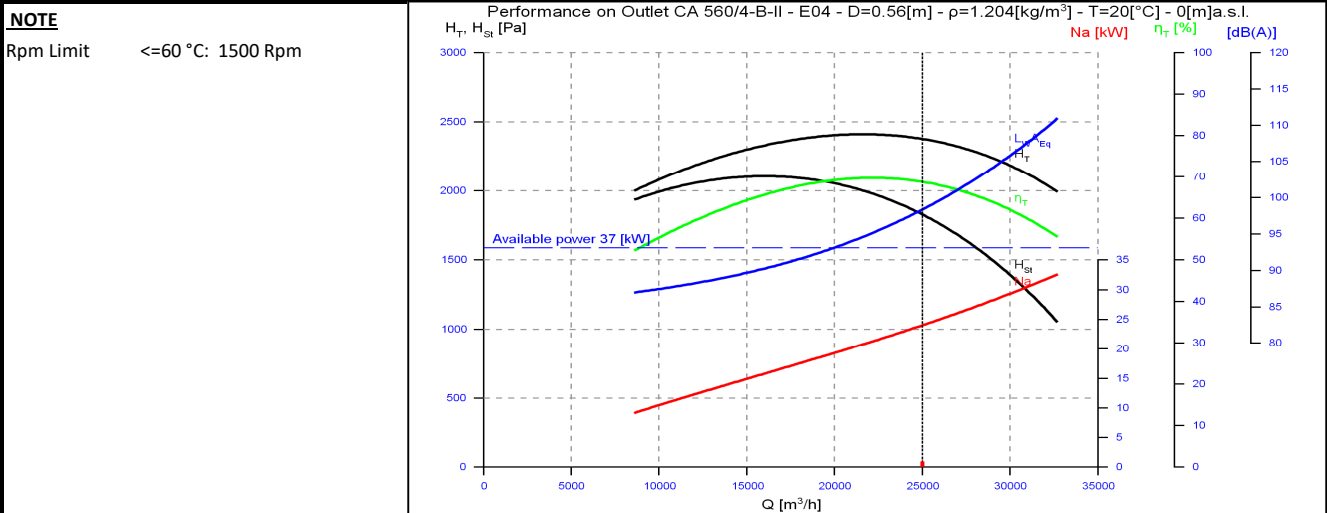
Document printed by Aeraulica - Dimensions and performances can be changed without prior notice

Type and characteristics of the requested machine		performance on		Outlet
Flow rate	25000 [m3/h]	Capacity (Normal)		23294 [Nm3/h]
Total pressure	2500 [Pa]	Static pressure		
Working fluid temperature	20 [°C]	Fluid specific weight		1.204 [Kg/m3]
Installation altitude	0 asl [m]	Specific weight std (20 [°C], 0 asl [m])		1.204 [Kg/m3]

Suggested model and effective characteristics				performance on		Outlet
Model	CA 560/4-B-II	Execution	E04	Installation Type	A (free inlet and outlet)	
Fluid specific weight	1.204	1.204 [Kg/m3]		Revolution fan speed		1470 [rpm]
Total pressure	2375	2375 [Pa]		Orientation		RD 0
Static pressure	1826	1826 [Pa]		Sound power LwA		113.68 [dB(A)]
Flow rate	25000	25000 [m3/h]		Sound pressure at mt.1.5 1/2 sf in open field		100.38 [dB(A)]
Capacity (Normal)	23294	23294 [Nm3/h]		Pipings	s>3mm = +3dB; 1mm<s<3mm = +4,5dB ; s<1mm = +6dB	
Power dem. at shaft	23.997	23.997 [kW]		Fan efficiency	Outlet	68.74 %
Motor power demand	23.997	23.997 [kW]				

Characteristics of chosen motor				Motor efficiency IEC 60034-30			IE3	PD ² impeller	6.2	kgm ²		
Code	225S04-50/std3P	shape	B3	Efficiency	93.9	94.5	94.4	PD ² needed	6.13	kgm ²		
Rated power	37.0 [kW]	n° poles	4	rpm	1478	Load	100%	75%	50%	PD ² motor	162	kgm ²

ErP 2009/125/CE Regulament (UE) N. 327/2011				Notes			
Efficiency grade	49	N	65.3	Total efficiency	65.83 %		
Impeller type	forward blades	Type of test	B/total	Flow rate	22205.65 [m3/h]	Pressure	1975 [Pa]



values of the noise of fan obtained in ambient not reverberant with inlet and outlet ducts fully insulated

TECHNICAL DATA SHEET

RADIAL FAN nr. AFGG-25_20



G&G filtration CZ, s.r.o.

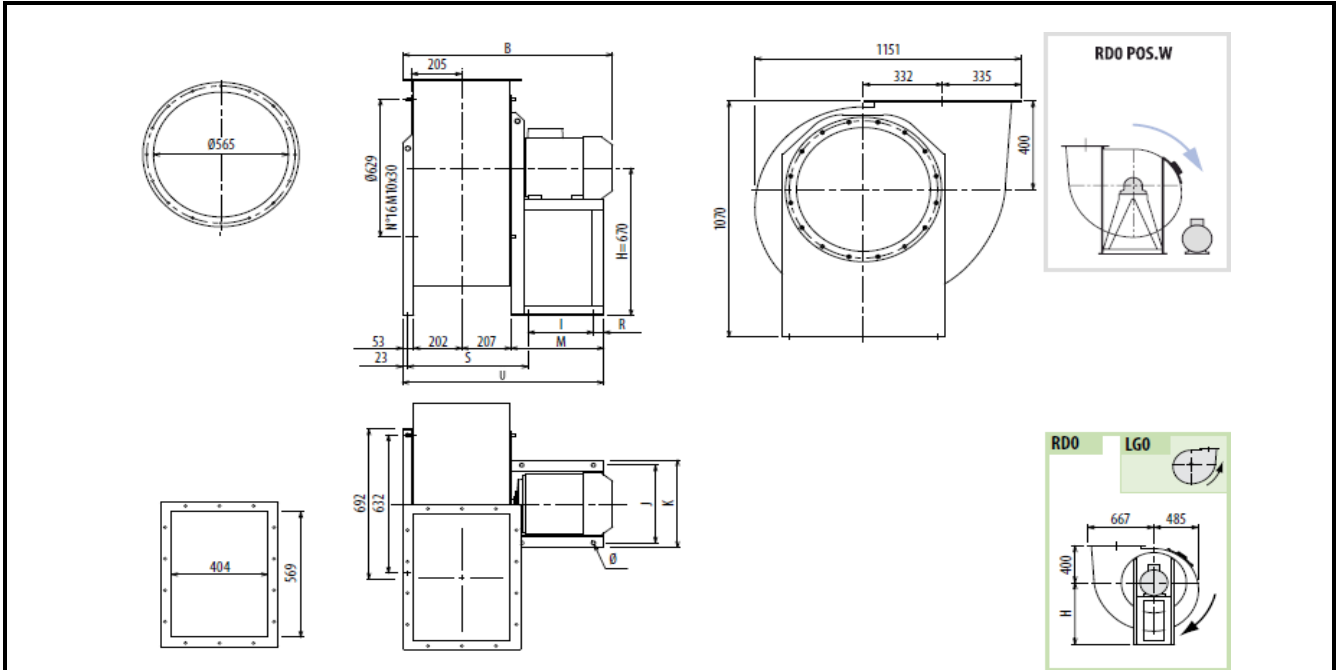
A Hrubínova 1903/9, 66451 Šlapanice, CZ

IČ 05226953 IČ DPH CZ05226953

E info@ggf.cz W www.ggf.cz

ITEM1

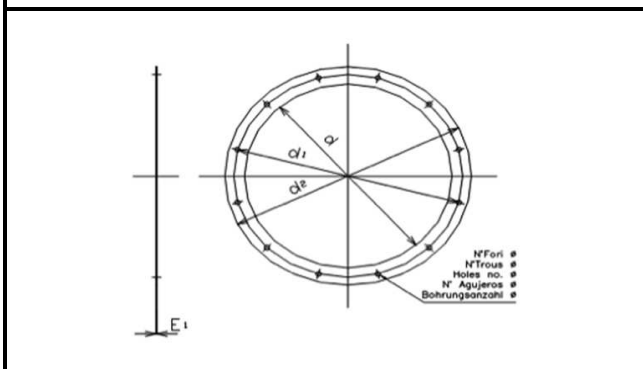
Document printed by Aeraulica - Dimensions and performances can be changed without prior notice



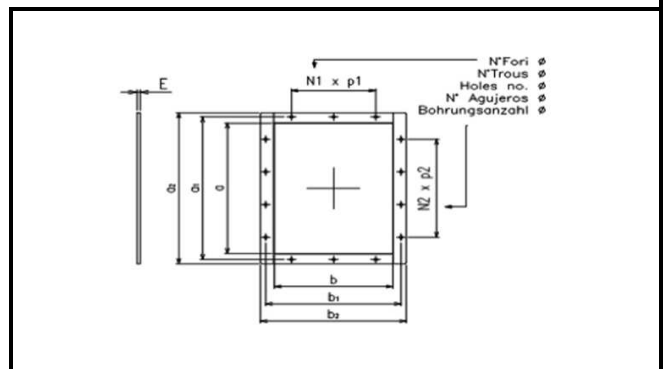
Indicative measures in the standard configuration. For detailed information contact your reference.

Indicative value of weight including standard motor.

B	I	H	H1	H2	J	K	M	R	S	U	Φ	PD2
1111	421	670	400	670	556	616	539	39	518	1001	19	6,2
kg												
497												



Cod	dxn°	d1	d2	Φ	E1
0565 B	565x16	629	665	14	4



Cod	axb	a1	b1	a2	b2
0569x0404	569x404	629	464	669	504

N1xp	N2xp	n°	Φ	E
2x160	3x160	14	14	4

