

# TECHNICAL DATA SHEET

## RADIAL FAN nr. AFGG-25\_22



G&G filtration CZ, s.r.o.

A Hrubínova 1903/9, 66451 Šlapanice, CZ  
 IČ 05226953 IČ DPH CZ05226953  
 E [info@ggf.cz](mailto:info@ggf.cz) W [www.ggf.cz](http://www.ggf.cz)

**ITEM1**

Document printed by Aeraulica - Dimensions and performances can be changed without prior notice

Type and characteristics of the requested machine				performance on		Outlet		
Flow rate	40000 [m3/h]	Capacity (Normal)				37271 [Nm3/h]		
Total pressure	2500 [Pa]	Static pressure						
Working fluid temperature	20 [°C]	Fluid specific weight				1.204 [Kg/m3]		
Installation altitude	0 asl [m]	Specific weight std (20 [°C], 0 asl [m])				1.204 [Kg/m3]		
Suggested model and effective characteristics				performance on		Outlet		
Model	RL 900/4-I	Execution	E04	Installation Type	A (free inlet and outlet)			
Fluid specific weight	1.204	1.204 [Kg/m3]		Revolution fan speed		1470	[rpm]	
Total pressure	2729	2729 [Pa]		Orientation		RD 0		
Static pressure	2502	2502 [Pa]		Sound power LwA		106.84	[dB(A)]	
Flow rate	40000	40000 [m3/h]		Sound pressure at mt.1.5 1/2 sf in open field		93.54	[dB(A)]	
Capacity (Normal)	37271	37271 [Nm3/h]		Pipings	s>3mm = +3dB; 1mm<s<3mm = +4,5dB ; s<1mm = +6dB			
Power dem. at shaft	36.721	36.721 [kW]		Fan efficiency	Outlet	82.57	%	
Motor power demand	36.721	36.721 [kW]						
Characteristics of chosen motor				Motor efficiency IEC 60034-30			PD <sup>2</sup> impeller	
Code	225M04-50/std3P	shape	B3	Efficiency	94.2	94.9	95.1	45.0 kgm <sup>2</sup>
Rated power	45.0 [kW]	n° poles	4	rpm	1478			PD <sup>2</sup> needed 44.51 kgm <sup>2</sup>
				Load	100%	75%	50%	PD <sup>2</sup> motor 198 kgm <sup>2</sup>
ErP 2009/125/CE Regulament (UE) N. 327/2011				Notes				
Efficiency grade	64			N	77.5	Total efficiency	78.85 %	
Impeller type	backward blades	Type of test	B/total	Flow rate	37095.46 [m3/h]	Pressure	2668 [Pa]	
<b>NOTE</b>				Performance on Outlet RL 900/4-I - E04 - D=0.9[m] - ρ=1.204[kg/m <sup>3</sup> ] - T=20[°C] - 0[m]a.s.l.				
Rpm Limit	<=60 °C: 1500 Rpm							
values of the noise of fan obtained in ambient not reverberant with inlet and outlet ducts fully insulated								

# TECHNICAL DATA SHEET

## RADIAL FAN nr. AFGG-25\_22



G&G filtration CZ, s.r.o.

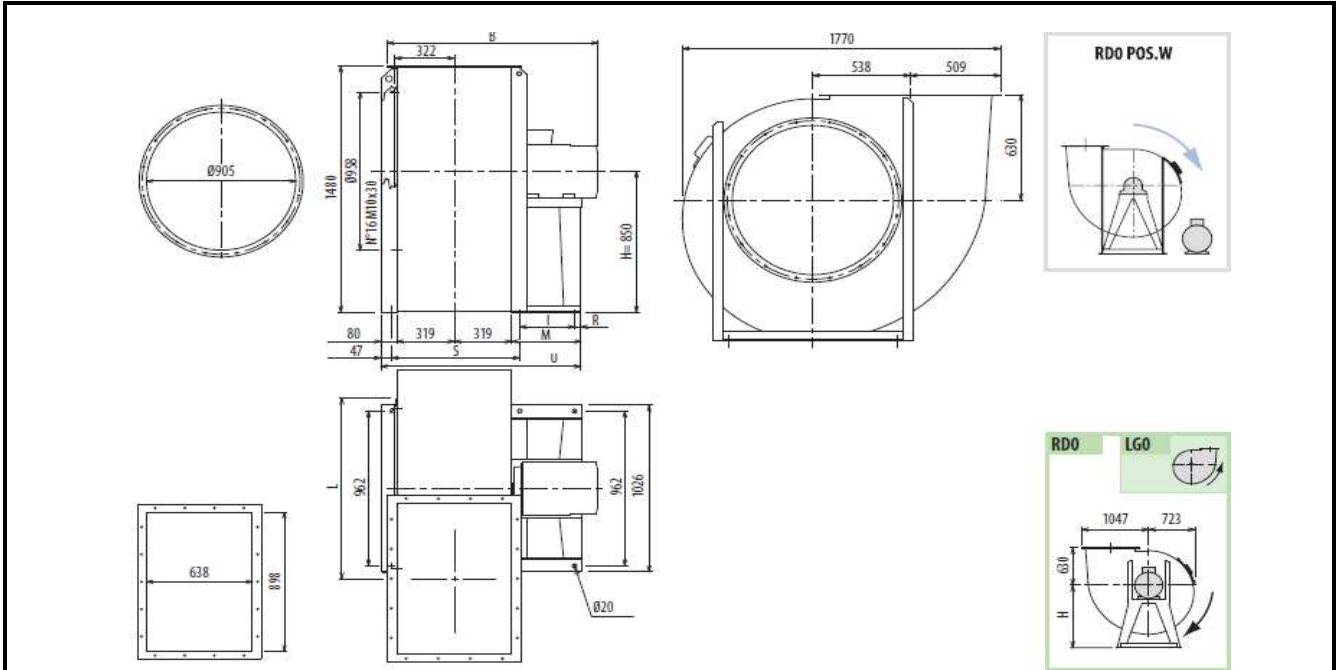
A Hrubínova 1903/9, 66451 Šlapanice, CZ

IČ 05226953 IČ DPH CZ05226953

E [info@ggf.cz](mailto:info@ggf.cz) W [www.ggf.cz](http://www.ggf.cz)

### ITEM1

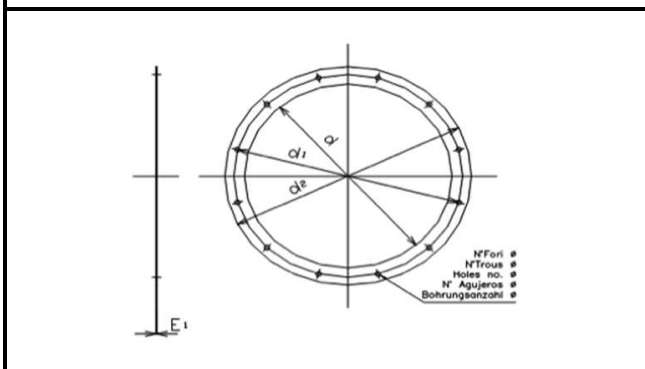
Document printed by Aeraulica - Dimensions and performances can be changed without prior notice



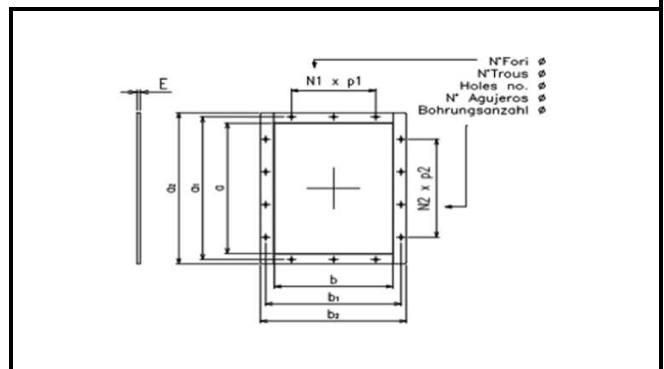
Indicative measures in the standard configuration. For detailed information contact your reference.

Indicative value of weight including standard motor.

B	I	H	H1	H2	L	M	R	S	U	PD2	kg
1427	441	850	630	1060	1145	540	39	731	1258	45	847



Cod	dxn°	d1	d2	Φ	E1
0905 A	905x16	958	1005	14	6



Cod	axb	a1	b1	a2	b2
0898x0638	898x638	968	708	1018	758

N1xp	N2xp	n°	Φ	E
3x200	4x200	18	14	8